

产品特点

- 符合E1认证;
- 宽广的使用环境温度: -40°C~+85°C;
- 宽电压:10-60V DC;
- 抗干扰性强, 100V/m;
- 抗振动和冲击;
- 护等级IP67;

Product Features

- Ambient temperature: - 40 ~+85;
- Wide voltage: 10-60V DC;
- Strong anti-interference, 100V/m;
- Anti-vibration and anti-impact;
- Protection degree: IP67;



选型表 Ordering Information

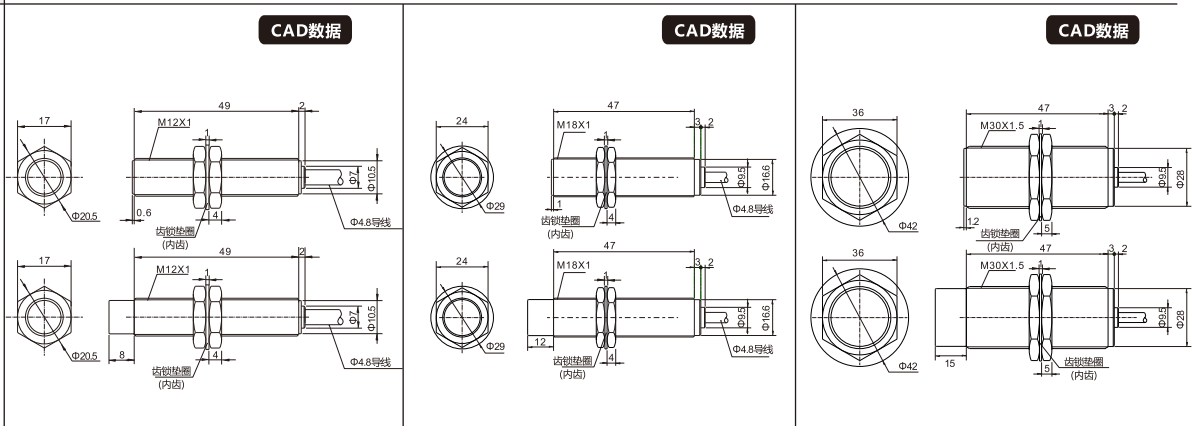
形状 Shape	检测距离 Sensing distance	动作模式 Action mode	接线颜色 Cable colour	型号Model			
				PNP	NPN		
屏蔽 Flushed							
M12	2mm	A: NO B: NC	①: +V, ②: out NC ④: out NO ③: 0V	SNG12-02BPA SNG12-02BPB SNG12-02BPA-E SNG12-02BPB-E	SNG12-02BNA SNG12-02BNB SNG12-02BNA-E SNG12-02BNB-E		
M18	5mm			SNG18-05BPA SNG18-05BPB SNG18-05BPA-E SNG18-05BPB-E	SNG18-05BNA SNG18-05BNB SNG18-05BNA-E SNG18-05BNB-E		
M30	10mm			SNG30-10BPA SNG30-10BPB SNG30-10BPA-E SNG30-10BPB-E	SNG30-10BNA SNG30-10BNB SNG30-10BNA-E SNG30-10BNB-E		
M12	4mm			SNG12-04BPA SNG12-04BPB SNG12-04BPA-E SNG12-04BPB-E	SNG12-04BNA SNG12-04BNB SNG12-04BNA-E SNG12-04BNB-E		
M18	8mm			SNG18-08BPA SNG18-08BPB SNG18-08BPA-E SNG18-08BPB-E	SNG18-08BNA SNG18-08BNB SNG18-08BNA-E SNG18-08BNB-E		
M30	15mm			SNG30-15BPA SNG30-15BPB SNG30-15BPA-E SNG30-15BPB-E	SNG30-15BNA SNG30-15BNB SNG30-15BNA-E SNG30-15BNB-E		
非屏蔽 Non-Flushed							
M12	4mm			A: NO B: NC	①: +V, ②: out NC ④: out NO ③: 0V	SNG12-04DPA SNG12-04DPB SNG12-04DPA-E SNG12-04DPB-E	SNG12-04DNA SNG12-04DNB SNG12-04DNA-E SNG12-04DNB-E
M18	8mm					SNG18-08DPA SNG18-08DPB SNG18-08DPA-E SNG18-08DPB-E	SNG18-08DNA SNG18-08DNB SNG18-08DNA-E SNG18-08DNB-E
M30	15mm	SNG30-15DPA SNG30-15DPB SNG30-15DPA-E SNG30-15DPB-E	SNG30-15DNA SNG30-15DNB SNG30-15DNA-E SNG30-15DNB-E				
M12	8mm	SNG12-08DPA SNG12-08DPB SNG12-08DPA-E SNG12-08DPB-E	SNG12-08DNA SNG12-08DNB SNG12-08DNA-E SNG12-08DNB-E				
M18	16mm	SNG18-16DPA SNG18-16DPB SNG18-16DPA-E SNG18-16DPB-E	SNG18-16DNA SNG18-16DNB SNG18-16DNA-E SNG18-16DNB-E				
M30	30mm	SNG30-30DPA SNG30-30DPB SNG30-30DPA-E SNG30-30DPB-E	SNG30-30DNA SNG30-30DNB SNG30-30DNA-E SNG30-30DNB-E				

额定规格/性能 Ratings and Specifications

导线引出型 Pre-Wired

尺寸Specification	单倍距离 Single distance					
	M12		M18		M30	
安装方式 Mounting	屏蔽 Flushed	非屏蔽 Non-Flushed	屏蔽 Flushed	非屏蔽 Non-Flushed	屏蔽 Flushed	非屏蔽 Non-Flushed
型号 Model	SNG12-02B□	SNG12-04D□	SNG18-05B□	SNG18-08D□	SNG30-10B□	SNG30-15D□
检测距离Sensing distance	2mm±10%	4mm±10%	5mm±10%	8mm±10%	10mm±10%	15mm±10%
设定距离Set distance	0~1.6mm	0~3.2mm	0~4mm	0~6.4mm	0~8mm	0~12mm
响应频率Response frequency	1.5kHz	0.8kHz	1kHz	0.4Hz	0.5kHz	0.1kHz
标准检测体Standard target	12*12*1t(Q235A)		18*18*1t(Q235A)	24*24*1t(Q235A)	30*30*1t(Q235A)	45*45*1t(Q235A)
尺寸Specification	两倍距离 2-times sensing distance					
	M12		M18		M30	
安装方式 Mounting	屏蔽 Flushed	非屏蔽 Non-Flushed	屏蔽 Flushed	非屏蔽 Non-Flushed	屏蔽 Flushed	非屏蔽 Non-Flushed
型号 Model	SNG12-04B□	SNG12-08D□	SNG18-08B□	SNG18-16D□	SNG30-15B□	SNG30-30D□
检测距离Sensing distance	4mm±10%	8mm±10%	8mm±10%	16mm±10%	15mm±10%	30mm±10%
设定距离Set distance	0~3.2mm	0~6.4mm	0~6.4mm	0~12.8mm	0~12mm	0~24mm
响应频率Response frequency	1kHz	0.4kHz	0.5kHz	0.4kHz	0.25kHz	0.1kHz
标准检测体Standard target	12*12*1t(Q235A)	24*24*1t(Q235A)		48*48*1t(Q235A)	45*45*1t(Q235A)	90*90*1t(Q235A)
输出类型Output type	N: NPN, NA: NPN-NO, NB: NPN-NC, P:PNP, PA: PNP-NO, PB: PNP-NC					
回差范围Hysteresis error	检测距离的1%~15% 1%~15% of sensing distance					
重复精度Repeat accuracy	单倍距离: 小于检测距离的3% Single distance: Less than 3% of sensing distance 双倍距离: 小于检测距离的5% 2-times sensing distance: Less than 5% of sensing distance					
电源电压Power supply	DC10-60V					
消费电流Current consumption	< 17mA					
泄漏电流Leakage current	< 100uA					
残留电压Residual voltage	2.5V以下 (负载电流200mA及导线长2m时) Less than 2.5V (load current at 200mA & cable 2m)					
负载电流Load current	< 200mA					
回路保护Circuit protection	逆极性保护 输出短路保护 浪涌吸收 reverse connection protection, short circuit protection, electrical surge absorption					
指示灯Indicator light	黄色LED Yellow LED					
连接方式Connection	导线引出型2米 Cable 2m					
环境温度Ambient temperature	使用时及保存时: -40°C ~ +85°C work and store: -40°C ~ +85°C					
温度影响Temperature effect	-40°C ~ +85°C 温度范围内, +23°C时检测距离的10%以内 Between -40°C ~ +85°C, less than 10% of sensing distance at +23°C					
环境湿度Ambient humidity	使用及保存时: 35~95% work and store: 35~95%					
电压影响Voltage effect	< 3%					
振动耐久Anti-vibration	10 ~ 55 Hz复振幅1.5mm X,Y,Z各方向 2H 10 to 55 Hz with 1.5 mm double amplitude for 2 hrs each in X, Y, and Z directions					
耐电压Withstanding voltage	1000V AC, 50/60Hz 1min充电部整体与外壳间					
绝缘电阻Insulation resistance	> 50MΩ (DC500V) 充电部整体与外壳间					
保护结构Protection degree	IEC规格 IP67					
外壳Housing	黄铜镀镍 Nickel-copper alloy					

外观尺寸图
Outline dimension



额定规格/性能 Ratings and Specifications

连接器式 Connector connection

尺寸Specification	单倍距离 Single distance					
	M12		M18		M30	
安装方式 Mounting	屏蔽 Flushed	非屏蔽 Non-Flushed	屏蔽 Flushed	非屏蔽 Non-Flushed	屏蔽 Flushed	非屏蔽 Non-Flushed
型号 Model	SNG12-02B□-E	SNG12-04D□-E	SNG18-05B□-E	SNG18-08D□-E	SNG30-10B□-EG	SNG30-15D□-E
检测距离Sensing distance	2mm±10%	4mm±10%	5mm±10%	8mm±10%	10mm±10%	15mm±10%
设定距离Set distance	0~1.6mm	0~3.2mm	0~4mm	0~6.4mm	0~8mm	0~12mm
响应频率Response frequency	1.5kHz	0.8kHz	1kHz	0.4Hz	0.5kHz	0.1kHz
标准检测体Standard target	12*12*1t(Q235A)		18*18*1t(Q235A)	24*24*1t(Q235A)	30*30*1t(Q235A)	45*45*1t(Q235A)
尺寸Specification	两倍距离 2-times sensing distance					
	M12		M18		M30	
安装方式 Mounting	屏蔽 Flushed	非屏蔽 Non-Flushed	屏蔽 Flushed	非屏蔽 Non-Flushed	屏蔽 Flushed	非屏蔽 Non-Flushed
型号 Model	SNG12-04B□-E	SNG12-08D□-E	SNG18-08B□-E	SNG18-16D□-E	SNG30-15B□-E	SNG30-30D□-E
检测距离Sensing distance	4mm±10%	8mm±10%	8mm±10%	16mm±10%	15mm±10%	30mm±10%
设定距离Set distance	0~3.2mm	0~6.4mm	0~6.4mm	0~12.8mm	0~12mm	0~24mm
响应频率Response frequency	1kHz	0.4kHz	0.5kHz	0.4kHz	0.25kHz	0.1kHz
标准检测体Standard target	12*12*1t(Q235A)	24*24*1t(Q235A)		36*36*1t(Q235A)	45*45*1t(Q235A)	90*90*1t(Q235A)
输出类型Output type	N: NPN, NA: NPN-NO, NB: NPN-NC, P:PNP, PA: PNP-NO, PB: PNP-NC					
回差范围Hysteresis error	检测距离的1%~15% 1%~15% of sensing distance					
重复精度Repeat accuracy	单倍距离: 小于检测距离的3% Single distance:Less than 3% of sensing distance 双倍距离: 小于检测距离的5% 2-times sensing distance:Less than 5% of sensing distance					
电源电压Power supply	DC10-60V					
消费电流Current consumption	< 17mA					
泄漏电流Leakage current	< 100uA					
残留电压Residual voltage	2.5V以下 (负载电流200mA及导线长2m时) Less than 2.5V(load current at 200mA &cable 2m)					
负载电流Load current	< 200mA					
回路保护Circuit protection	逆极性保护 输出短路保护 浪涌吸收 reverse connection protection, short circuit protection, electrical surge absorption					
指示灯Indicator light	黄色LED Yellow LED					
连接方式Connection	M12接插件 Connector					
环境温度Ambient temperature	使用时及保存时: -40°C ~ +85°C work and store: -40°C ~ +85°C					
温度影响Temperature effect	-40°C ~ +85°C 温度范围内, +23°C时检测距离的10%以内 Between -40°C ~ +85°C, less than 10% of sensing distance at +23°C					
环境湿度Ambient humidity	使用及保存时: 35~95% work and store: 35~95%					
电压影响Voltage effect	< 3%					
振动耐久Anti-vibration	10 ~ 55 Hz复振幅1.5mm X,Y,Z各方向 2H 10 to 55 Hz with 1.5 mm double amplitude for 2 hrs each in X, Y, and Z directions					
耐电压Withstanding voltage	1000V AC,50/60Hz 1min充电部整体与外壳间					
绝缘电阻Insulation resistance	> 50MΩ (DC500V) 充电部整体与外壳间					
保护结构Protection degree	IEC规格 IP67					
外壳Housing	黄铜镀镍 Nickel-copper alloy					

外观尺寸图 Outline dimension	SN12(屏蔽/Flushed) CAD数据	SN18(屏蔽/Flushed) CAD数据	SN30(屏蔽/Flushed) CAD数据