

产品特点

- 自动敏感度跟踪功能
- 大功率，多种模式
- 简便易用的双重数字显示标准
- 全新概念，一键设置按钮

Product Features

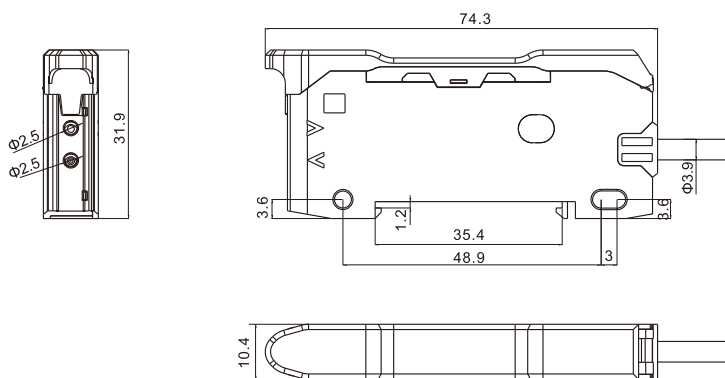
- Automatic sensitivity tracking
- High power , various modes
- Double digital display standard for easy operation
- New concept, one-click setting button



额定规格/性能 Ratings and Specifications

Sensing mode(检测方式)	Reflection(反射型)	
Specification(尺寸)	30.3mmx9.8mmx71.8mm	
Model(型号)	PE23VN(Y)	PE23VP(Y)
Output mode(输出方式)	NPN	PNP
Light source(光源)	Red 660nm(红色发光二极管)	
Response time(响应时间)	100μs(HIGH SPEED)/250μs(FINE)/1ms(TURBO)16ms(MEGA)	
Output Option(输出选择)	LIGHT-ON/DARK-ON(开关选择)	
Sensing mode(检测方式)	光强度(区域检测, 自动敏感度跟踪功能) Optical intensity(detection, automatic sensitivity tracking function)	
Output control(控制输出)	NPN开放式集电器24V,最大100mA,剩余电压:最大1V NPN Open Couector24V,Maximum 100mA, Residual Voltage:Maximum 1V	PNP开放式集电器24V,最大100mA,剩余电压:最大1V PNP Open Couector24V,Maximum 100mA, Residual Voltage:Maximum 1V
Power supply(电源电压)	DC12~24V,impulse(P-P) <10% /DC12~24V脉动(P-P)10%以下	
Current consumption(消费电流)	最大750mW(最大电流24V,31mA,最大电流12V:40mA) 节电模式:最大580mW(最大电流:24V:24mA;最大电流12V:28mA) Maximum 750mW(Maximum current 24V,31mA,Maximum current12V:40mA) Power-down mode:Maimum current:580mW (Maimum current:24V,24mA;Maximum Current:12V,28mA)	
Ambient temperature(环境温度)	-25°C~+55°C,with no icing or condensation/(使用时:-25°C~+55°C不结冰不结露)	
Ambient humidity(环境湿度)	35~85%RH dewde forbidden/(35~85%RH 不结露)	
Ambient illumination(环境照明)	太阳光Sunlight:30000Lux max; 白炽灯Incandescent lamp:20000Lux	
Anti-vibration(耐振动)	10~55Hz 双振幅 1.5mm X,Y,Z(2h) double amplitude for 2 hours each inX,Y and Z directions	
Anti-impact(耐冲击)	500m/S²,X,Y,Z(3 times)(500m/S²,X,Y,Z各方向3次)	
Housing material(材质)	PC	
Connection(连接方式)	Cable2m-PU/标准导线长2米PU	
Weight(重量)	80g	

Dimension(尺寸图)  
(Unit/单位:mm)



CAD数据